

Service Manual

PIONEER®
The Art of Entertainment



ORDER NO.
ARP2779

CONTROL PACK

PAC - S10

CONTROL PAD

CPD - S1

PAC - S10 AND CPD - S1 HAVE THE FOLLOWING:

Type	Power Requirement	Remarks
ZU	DC power supplied from other system component.	

- This manual is applicable to PAC - S10/ZU and CPD - S1/ZU.
- These products are optional products for LaserActive CLD - A100.
- Control Pad CPD - S1 is supplied for service as part No. DXX2111.

659
This service manual is intended for qualified service technicians; it is not meant for the casual do-it-yourselfer. Qualified technicians have the necessary test equipment and tools, and have been trained to properly and safely repair complex products such as those covered by this manual.

Improperly performed repairs can adversely affect the safety and reliability of the product and may void the warranty. If you are not qualified to perform the repair of this product properly and safely, you should not risk trying to do so and refer the repair to a qualified service technician.

WARNING

Lead in solder used in this product is listed by the California Health and Welfare agency as a known reproductive toxicant which may cause birth defects or other reproductive harm (California Health & Safety Code, Section 25249.5).

When servicing or handling circuit boards and other components which contain lead in solder, avoid unprotected skin contact with the solder. Also, when soldering do not inhale any smoke or fumes produced.

CONTENTS

1. PAC-S10 EXPLODED VIEWS AND PARTS LIST	2
2. PACKING AND PARTS LIST	3
3. PAC - S10 BLOCK DIAGRAM	4
4. PANEL FACILITIES	5
5. SPECIFICATIONS	5

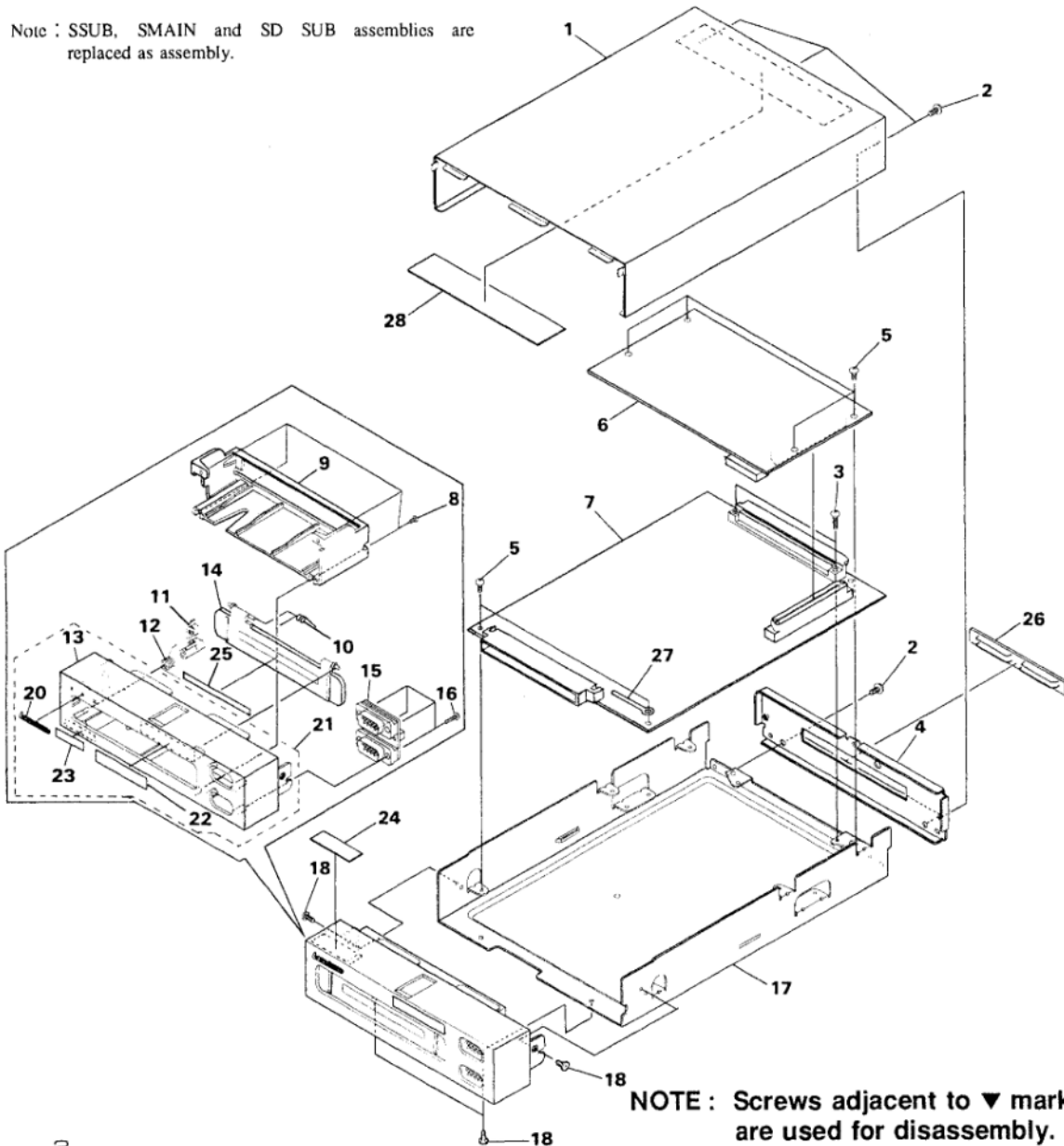
1. PAC-S10 EXPLODED VIEWS AND PARTS LIST

NOTES:

- Parts marked by "NSP" are generally unavailable because they are not in our Master Spare Parts List.
- ▲ The ▲ mark found on some component parts indicates the importance of the safety factor of the part. Therefore, when replacing, be sure to use parts of identical designation.
- Parts marked by "●" are not always kept in stock. Their delivery time may be longer than usual or they may be unavailable.

Mark No.	Description	Parts No.	Mark No.	Description	Parts No.	
1	Bonnet	DNE1210	●	15	SDSUB ASSY	DWG1366
2	LH screw	Z39-023	16	Screw	BPZ20P120FMC	
3	Screw	PMZ26P100FMC	NSP	17	Chassis	DNA1128
4	Rear panel S	DNC1329	18	Screw	DBA1070	
5	Screw	BBZ26P060FMC	19		
●	6	SSUB ASSY	20	Active badge	DAM1059	
●	7	SMAIN ASSY	21	Front panel S ASSY-S	DXX2127	
8	Screw	BPZ20P060FMC	22	S seal (ZU)	DRW1499	
9	Guide S	DNK2751	23	C seal S	DRW1541	
10	Door spring	DBH1233	24	C seal	DRW1543	
11	Lock plate S	DNK2749	25	S door seal	DRW1498	
12	Lock plate spring	DBH1232	26	Connector cap	DNK2821	
NSP	13	Front panel S	NSP	27	Cord stopper	Z09-061
14	Door	DNK2750	NSP	28	65 label	ORW1069

Note : SSUB, SMAIN and SD SUB assemblies are replaced as assembly.



NOTE : Screws adjacent to ▼ mark on product are used for disassembly.

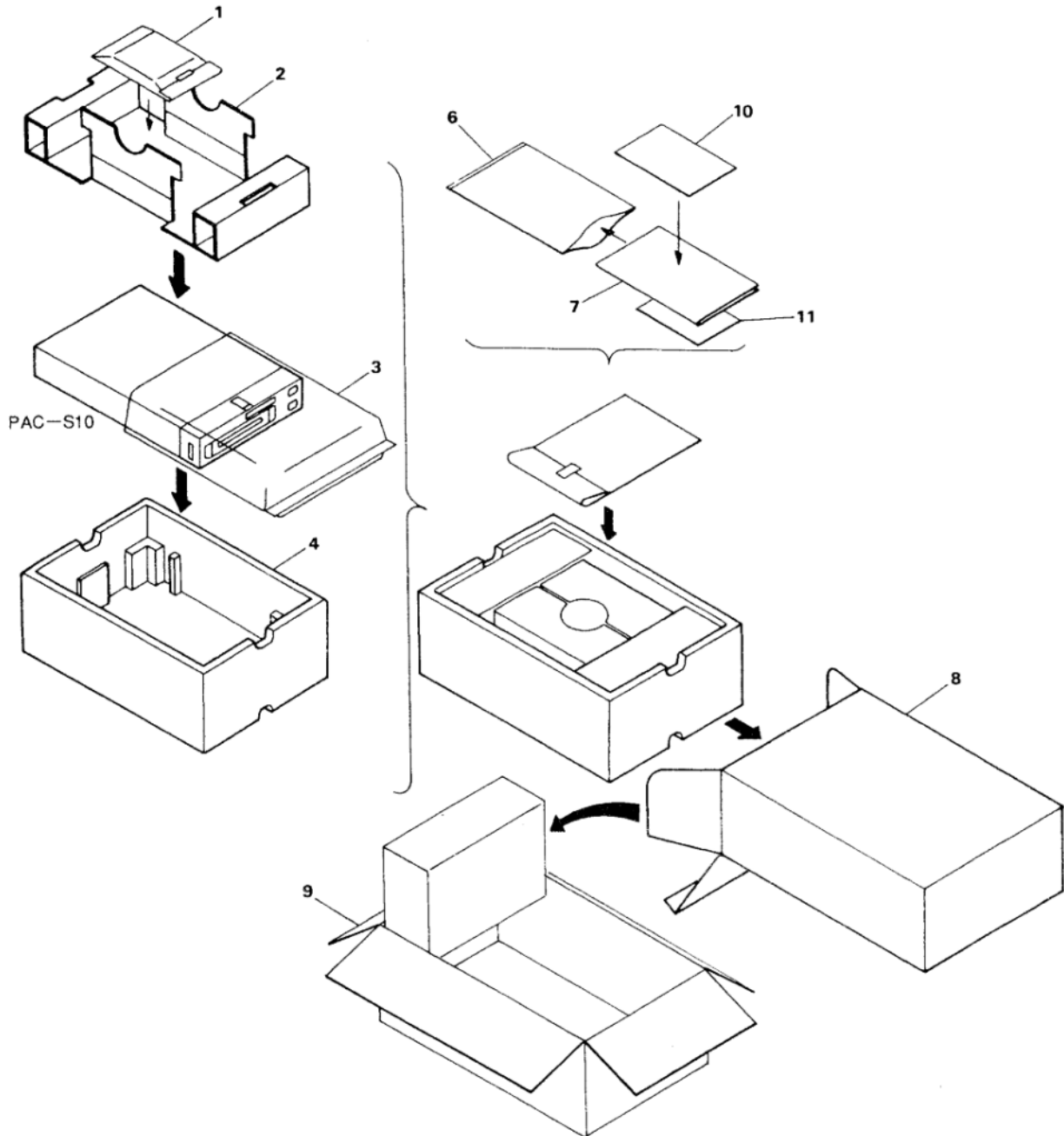
2. PACKING AND PARTS LIST

NOTES:

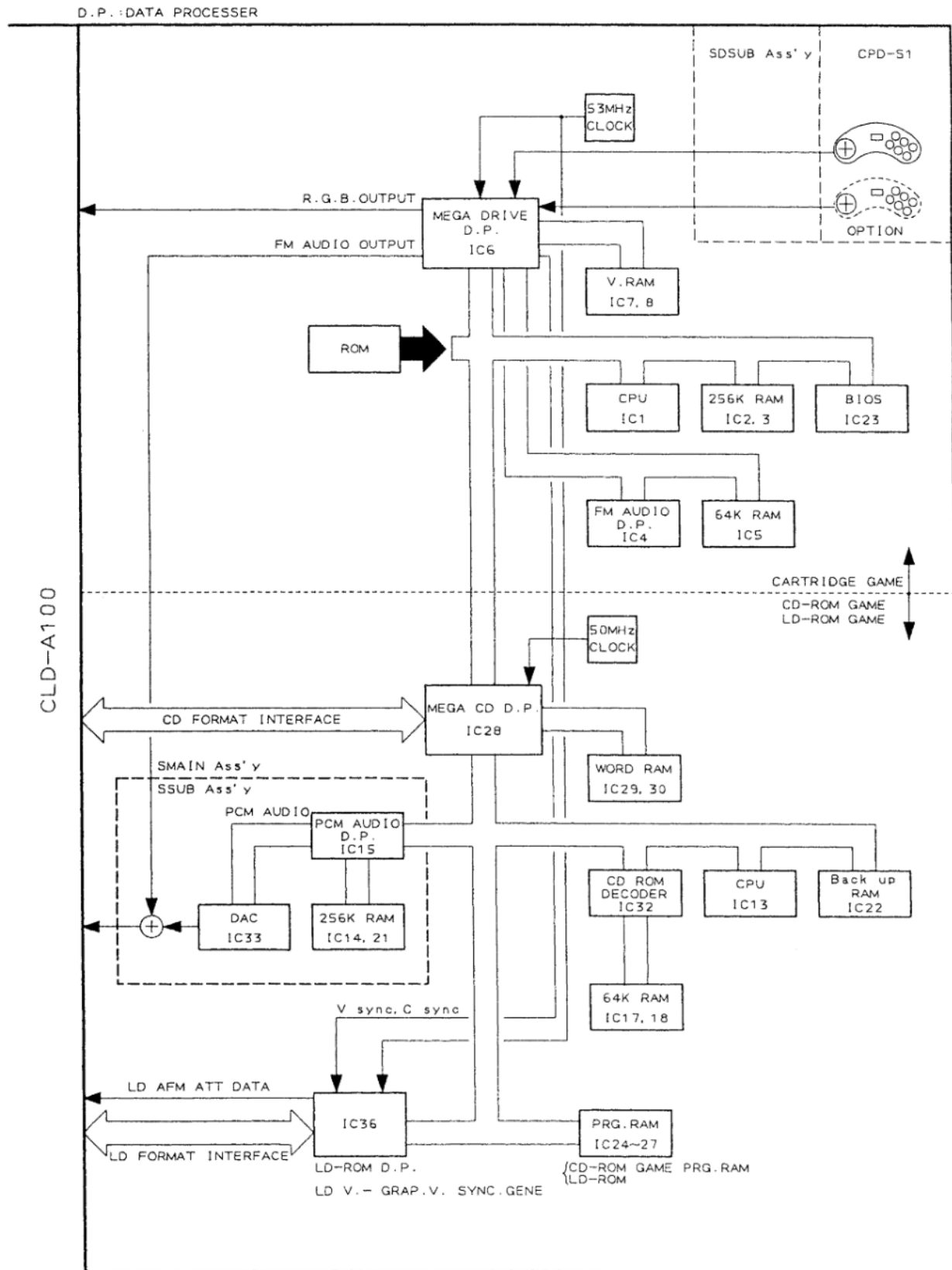
- Parts marked by "NSP" are generally unavailable because they are not in our Master Spare Parts List.
- The Δ mark found on some component parts indicates the importance of the safety factor of the part. Therefore, when replacing, be sure to use parts of identical designation.
- Parts marked by "●" are not always kept in stock. Their delivery time may be longer than usual or they may be unavailable.

Mark No.	Description	Parts No.	Mark No.	Description	Parts No.	
1	Control pad S (CPD-S1)	DXX2111	6	Polyethelene bag	DHL1077	
2	Packing (for CPD-S1)	DHF1033	7	Operating instructions S (English)	DRB1143	
3	Mirror mat bag	DHL1081	8	Packing case S	DHG1514	
4	Under pad	DHA1238	9	Master case S (for 5 sets)	DHG1532	
5		NSP	10	Warranty card	ARY1044
			NSP	11	Caution (ZU)	DRM1138

Note : Control pad S (CPD-S1) has no service part.



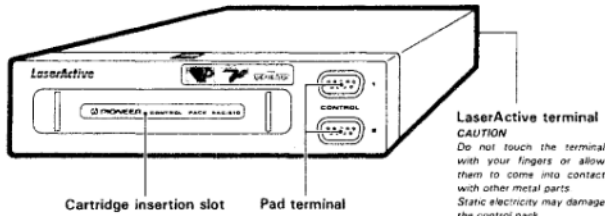
3. PAC-S10 BLOCK DIAGRAM



4. PANEL FACILITIES

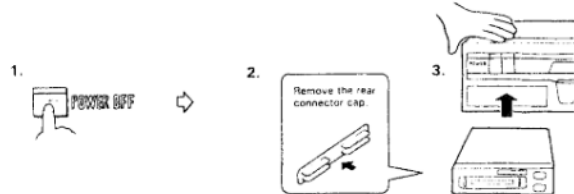
CONTROL PACK

• For how to install/remove the Control Pack, see the operating instructions of the CD CDV LD player compatible with LaserActive.



Installing the Control Pack

1. Turn off the CD CDV LD player compatible with LaserActive.
2. Remove the connector cap on the rear of the Control Pack.
3. While pressing down on the CD CDV LD player compatible with LaserActive with your hand, attach the Control Pack, making sure it is securely installed.

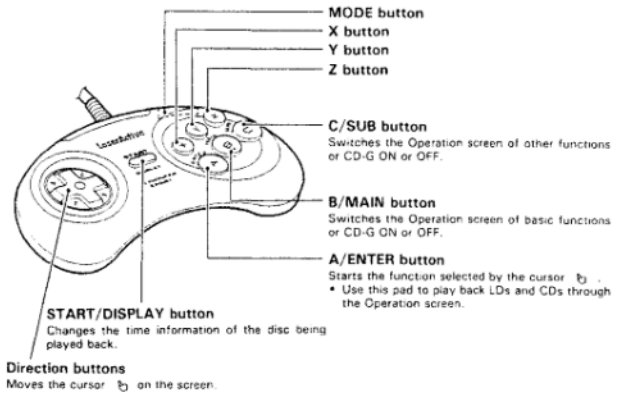


NOTE

- To install accurately, lightly place one hand on top of the player and with the other hand carefully insert the Control Pack until the front panel is flush with the front panel of the player.
- Do not throw away the connector cap. When the Control Pack is removed from the CD CDV LD player compatible with LaserActive for storage, make sure the connector cap is installed before storing the Control Pack.

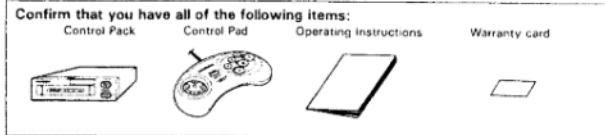
CONTROL PAD

- Using this pad and by operating the control screen, the performing of LD and CD playback is possible.
- Use for controlling games. The use of each button differs according to the game. Here, the names and typical functions of the keys are explained.



Using the 6-Buttons Control Pad

There are extremely few instances where the game software is restricted to the use of three buttons, where due to the response of the "MODE" and "X, Y, Z" buttons, the controlling of such games can prove to be troublesome. In the event of this, switch OFF the power supply to the CD CDV LD player compatible with LaserActive, and while pressing the "MODE" button on the Control Pad, switch the power supply back ON. The "MODE" and "X, Y, Z" buttons are rendered unusable, thereby allowing the game to be enjoyed comfortably.



5. SPECIFICATIONS

Input/output terminal:

Cartridge terminal (exclusive for GENESIS)
Control Pad terminal
LaserActive terminal

Available software:

MEGA LD (30 cm, 20 cm)
SEGA CD
Cartridge (for GENESIS)
LaserDisc (30 cm, 20 cm)
CD VIDEO LD with TOC (30 cm, 20 cm)
Compact Disc (12 cm, 8 cm)
CD VIDEO SINGLE (12 cm)
CD-G (CD graphics)

Others

Weight 1.1 kg (excluding the Control Pad)
Dimensions ... 160 (W) x 253 (D) x 40 (H) mm
Allowable operating temperature ... +5 to +35°C
Allowable operating humidity ... 5 to 85% (no condensation)
Accessory Control Pad (CPD-S1) 1

Depending on the type of repair, the data saved in the internal back-up RAM may be lost. As the contents of the lost data cannot be secured, please take proper steps beforehand to ensure that data are not lost.